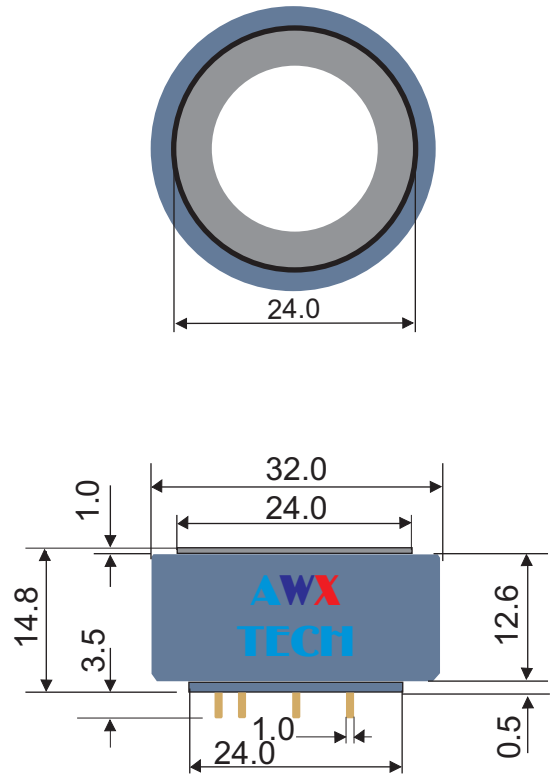


SPECIFICATION SHEET FOR NH₃ SENSOR COMPACT

NH3-7/200

Nominal Range 0 – 100 ppm
 Maximum Overload 200 ppm
 Expected Operation Life 2 years in air
 Output Signal 100 +/- 20 nA/ppm
 Resolution 1.0 ppm
 Temperature Range - 10 °C to + 40 °C
 Pressure Range Atmospheric +/-10 %
 t₉₀ Response Time < 50 sec
 Relative Humidity Range 15 % to 90 % R.H. non-condensing
 Typical Baseline Range (pure air, 20°C) – +/- 7 ppm
 Maximum Zero Shift (+20°C to +40 °C) -7.0 ppm
 Expected Long Term Output Drift < 1 % signal loss/month
 Recommended Load Resistor 10 Ohm
 Bias Voltage Not required
 Repeatability < 2 % of signal
 Output Linearity Linear

Weight ~ 28 g
 Position Sensitivity None
 Storage Life Six months in container
 Recommended Storage Temperature 5 °C – 20 °C
 Warranty Period 12 months from date of dispatch



PERFORMANCE CHARACTERISTICS

CROSS-SENSITIVITY DATA

Interfering Gas Concentration Reading
 CO 100 ppm < 0 ppm
 SO₂ 20 ppm < -5 ppm
 NO₂ 20 ppm -20.0 ppm
 Performance data conditions:
 20 °C, 50% RH and 1013 mbar

APPLICATIONS

Safety and Environmental Control
 For Portable Gas Detectors

